

# DC-62

## Drag Chain Conveyor

The Model DC-62 is a two strand drag chain conveyor designed to handle pallets.

- 11 Widths
- Modular Assembly
- Adjustable DCS and DCDS-Type Floor Supports Available

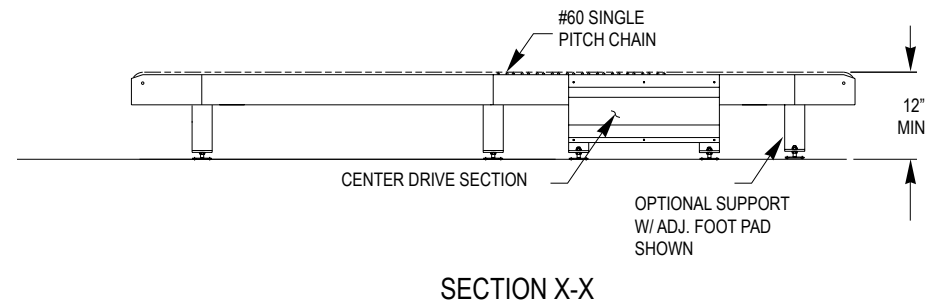
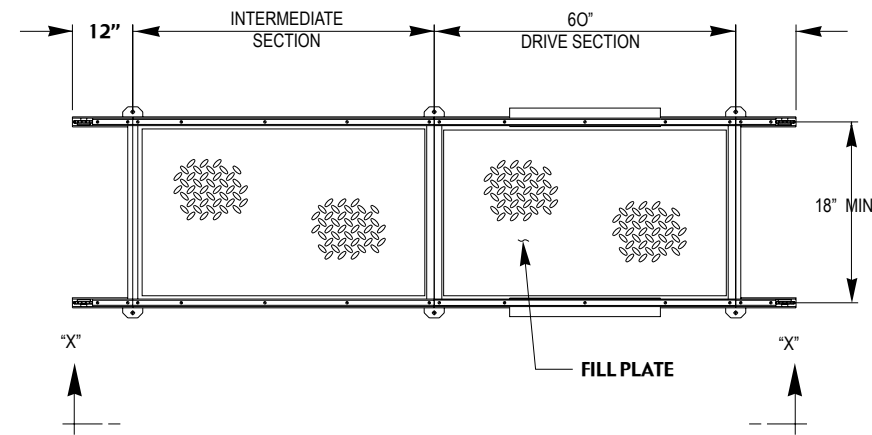


## HOW IT WORKS

The conveyor is made up of drive, intermediate and tail sections on which two strands of #60 single-pitch chain travel. Each strand is a continuous loop and driven by a common drive shaft.

SIZE TO ORDER	FRAME WIDTH	19 7/8"	22 7/8"	25 7/8"	28 7/8"	31 7/8"	34 7/8"	37 7/8"	40 7/8"	43 7/8"	46 7/8"	49 7/8"
OVERALL LENGTH "A"	STRAND CENTERS	18"	21"	24"	27"	30"	33"	36"	39"	42"	45"	48"
7'		433	450	466	483	499	517	534	551	567	581	600
Per Foot Weight		37	39	41	43	45	47	49	51	53	55	57

All weights in catalog are conveyor weights only. Accessories, crating, etc., are not included.



## STANDARD SPECIFICATIONS

**CHAIN** – #60 single pitch conveyor chain (straight sidebar).

**CHAIN GUIDE** – UHMW polyethylene.

**FRAME** – 6 in. x 7 ga. powder painted formed steel angle with 1 1/2 in. x 3/16 wall, chain support tube. 4 ga. formed coupling channels located at infeed and discharge ends of each module.

**MOTOR** – 1 1/2 HP – 208/230/460/575V – 3 PH. 60 HZ. gearmotor, located underneath in 5 ft. long module.

**DRIVE SPROCKETS** – Hardened #60 with 1 3/8 in. dia. steel shaft.

**BEARINGS** – Sealed, pre-lubricated, self aligning, ball bearings on drive.

**CONVEYING SPEED** – 35 FPM.

**CAPACITY** – 6000 lbs. maximum at 35 FPM (1 1/2 HP maximum). NOT TO EXCEED CAPACITY IN CHART.

**FLOOR SUPPORTS** – Now supplied as optional equipment.

**NOTE:** Product footprint may affect drive capacity.

LOAD CAPACITY CHART (Live)* @ 35 FPM		
HP	TOTAL LOAD (Lbs.)	
	UP TO 50'	UP TO 102'
1 1/2	6000	6000

**MAXIMUM UNIT LOAD – 6000 lbs.**



## OPTIONAL EQUIPMENT

**FLOOR SUPPORTS** – DCS and DCDS Type floor supports are available with a wide range of adjustment. Specify top of chain elevation. One support required at every bed joint and ends of conveyor. Holes in feet for lagging to floor.

**MOTORS** – 1 1/2 HP maximum.

**CLOSED TAIL** – Overall length will be affected.

**CONVEYING SPEED** – Speeds other than 35 FPM will require gear box change (contact factory).

